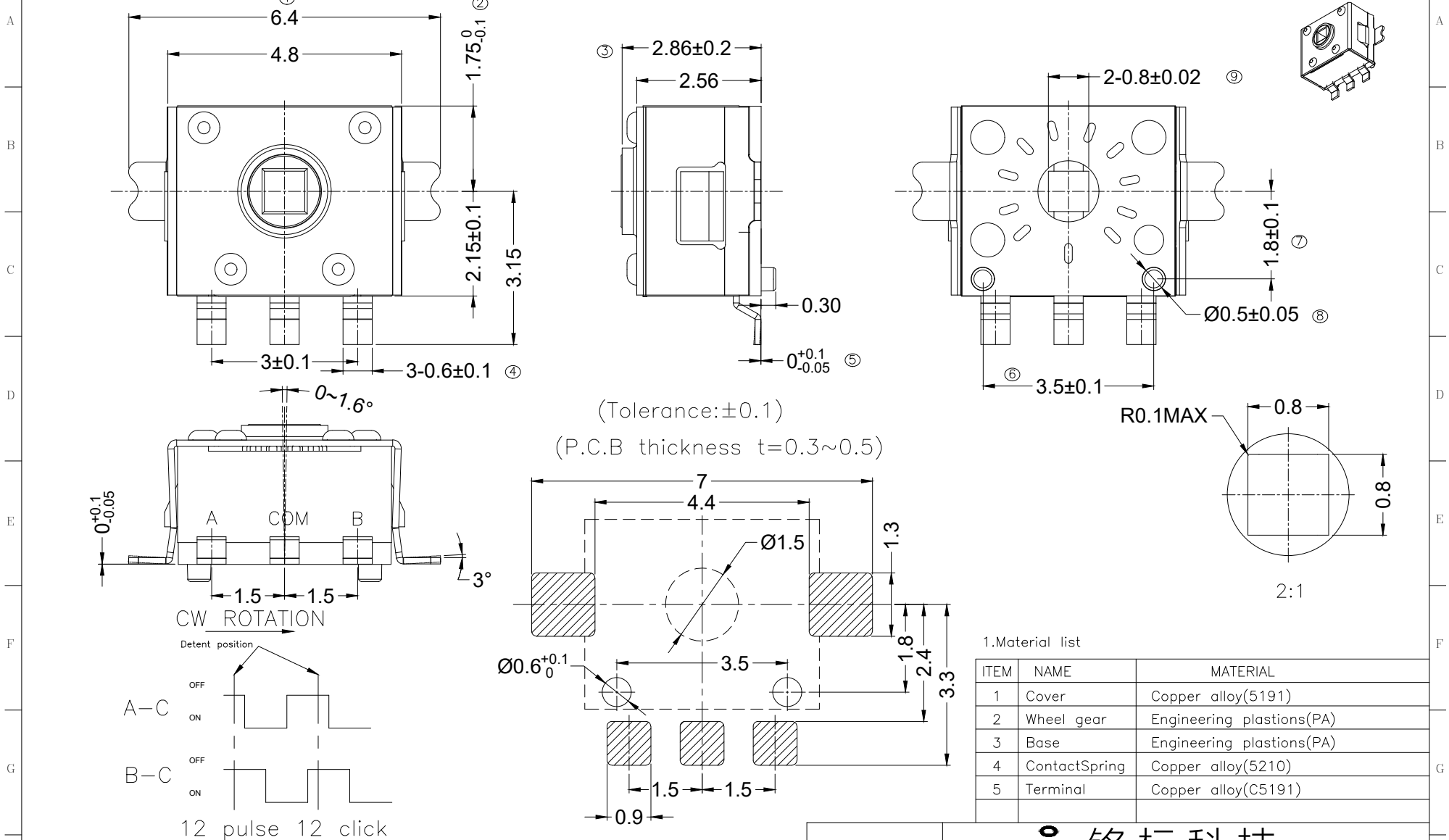
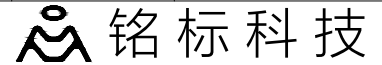


1 2 3 4 5 6 7 8 9 10



1. Material list

ITEM	NAME	MATERIAL
1	Cover	Copper alloy(5191)
2	Wheel gear	Engineering plastions(PA)
3	Base	Engineering plastions(PA)
4	ContactSpring	Copper alloy(5210)
5	Terminal	Copper alloy(C5191)



ITEM	PART NAME	Q'TY	MATERIAL	DESCRIPTION
05				
04				
03				
02				
01				

X	± 0.3	DR:	DATE:	TITLE:
X.X	± 0.2	CHKD:	DATE:	EVBM01-FSF-R
X.XX	± 0.15	APPD:	DATE:	
X.XXX	± 0.1	PART NAME:	REV: A	SCALE: 1:1
ANGLES	$\pm 3^\circ$	DWG NO:	SIZE: A4	SHEET: 1/1

