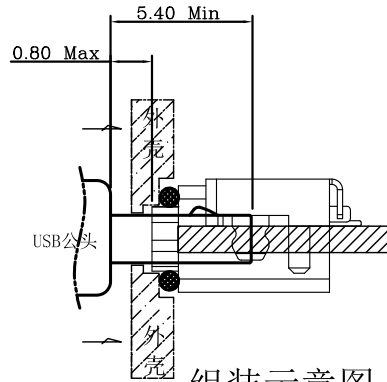
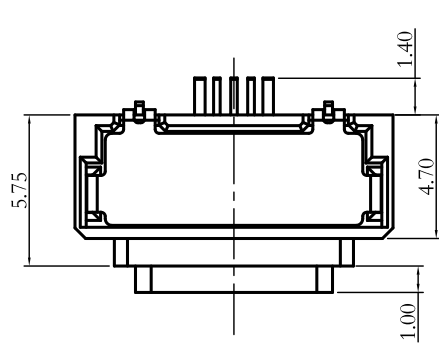
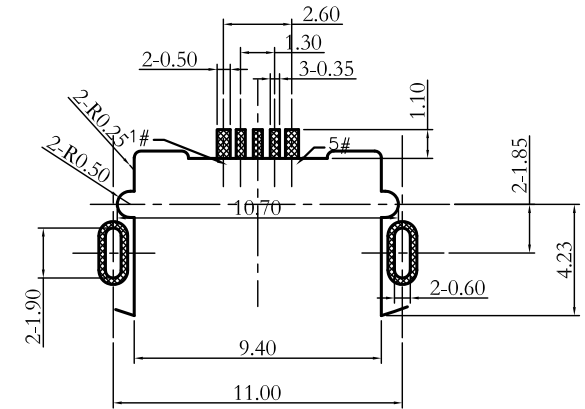
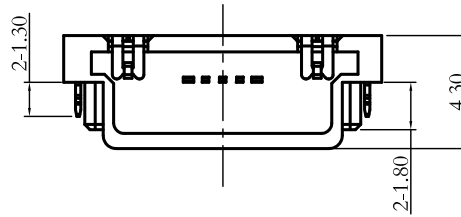
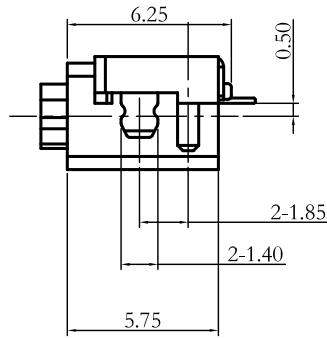
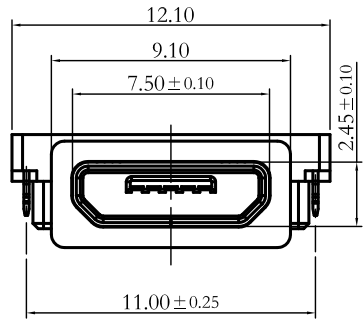


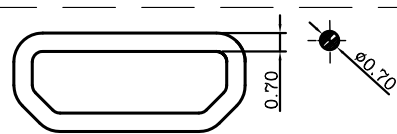
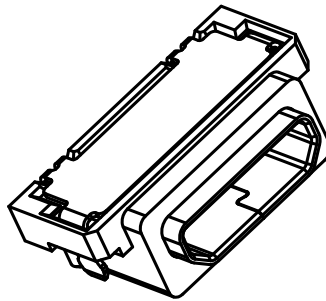
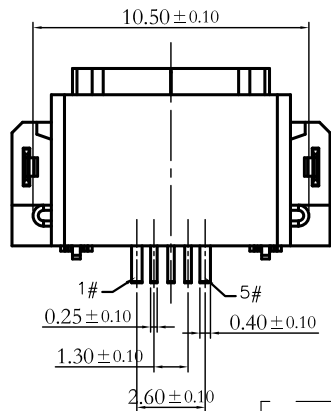
REV.	ECN. NO.	APPD.



组装示意图



Recommended P. C. B. Layout
Unspecified tolerance: ± 0.05
(Top view)



注：防水圈是圆形截面，直径为0.7mm的硅胶圈
防水圈挤压力，由0.7mm挤压到0.3mm ~ 0.4mm，防水效果好

结构设计注意:

1. 请注意公头插入时的距离，防止公头插不到底。
2. 成品使用时，如有洗面奶泡沫、牙膏、洗手液、脏污液体，请在TYPE-C口外面再设计一层外壳，保护TYPE-C表面金手指不会被脏污覆盖。

SPECIFICATIONS:

1. ELECTRICAL CHARACTERISTICS:
 - 1.1. RATING: 3A(PIN1&5),0.5A(PIN2&3&4);
 - 1.2. CONTACT RESISTANCE: 30 mΩ MAX.(INITIAL);
 - 1.3. DIELECTRIC WITHSTANDING: 500V AC MIN.;
 - 1.4. INSULATION RESISTANCE: 1000MΩ MIN.;
2. DURABILITY: 5,000 CYCLES MIN.;
3. INSERTION FORCE: 3.5Kgf (35N) Max.;
4. EXTRACTION FORCE: 0.8Kgf (8N) Min.;
5. WATER PROOFNESS: THIS PRODUCT IS BASED ON IPX7.
6. PLUG INTERFACE DIMENSIONS CONFORM TO USB2.0 SPEC.
7. PACKAGING: TAPE & REEL.

Contact Number	Signal Name	Remarks
1#	VBUS	Power
2#	D-	Date-
3#	D+	Date+
4#	ID	Reserve or Gound
5#	GND	Gound

4	Shell	1	Phosphor bronze Ni Plating T=0.20mm	
3	Shell	1	SUS304R-1/2HT=0.30mm	
2	Contact	5	Phosphor bronze AU/Tin Plating T=0.20mm	
1	Housing	1	PA10T (G.F30%)	
ITEM	PART NAME	Q' TY	FINISH	NOTE
X.	±0.50	X.° ± 2°	UNITS	东莞市铭标电子科技有限公司 PART NO. USB-1105IPX8-00 TITLE: Micro USB 5Pin SMT (B) Type APPD: RADOM CHKD: MARK DR: Steven.Rao 2019/04/28
.X	±0.35	.X° ± 1°	mm	
.XX	±0.25	.XX° ± 0.5°	MAT'L	
.XXX	±0.05		FINISH	
			Q' TY	
THESE DRAWINGS AND SPECIFICATIONS ARE THE PROPERTY OF E-ZONE ELECTRONIC TECHNOLOGY CO.,LTD. AND SHALL NOT BE REPRODUCED, COPIED OR USED IN ANY MANNER WITHOUT THE PRIOR WRITTEN CONSENT OF E-ZONE ELECTRONIC TECHNOLOGY CO., LTD.				DWG NO. : USB-1105IPX8-00 SCALE SHEET REV. 1/1 1/1 A1