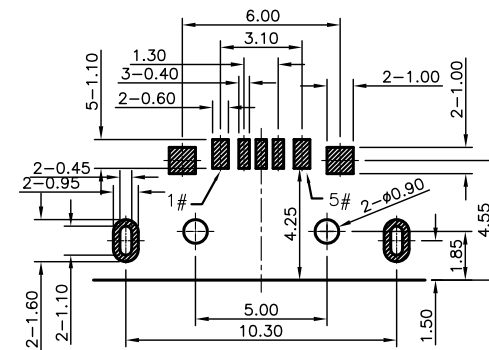
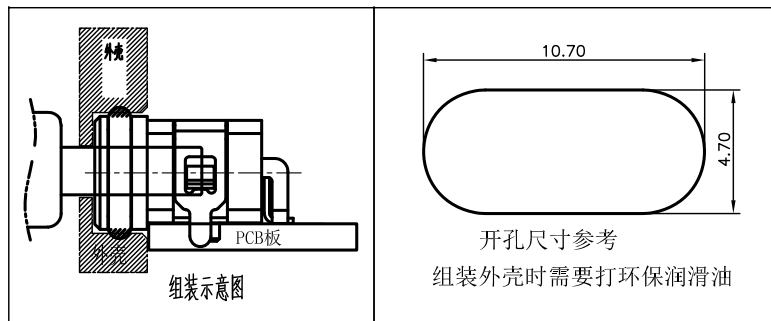
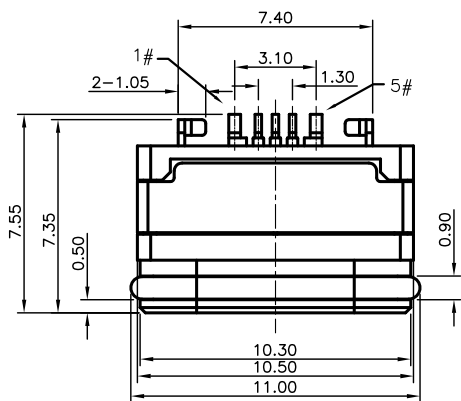


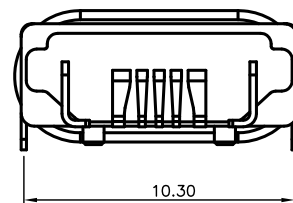
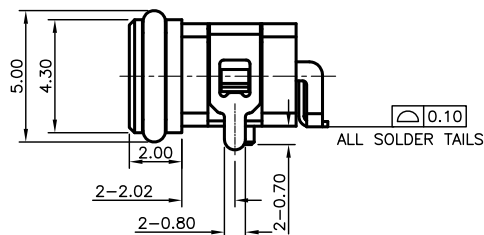
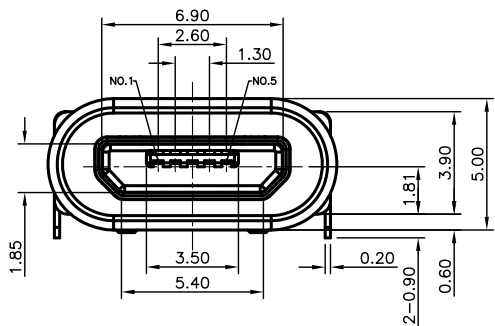
REV.	ECN. NO.	APPD.

结构设计注意

1. 请注意壳体插入时勿倾斜, 防止壳体损坏。
2. 点焊时, 加有保护油时, 可省、免手洗、免拆洗, 请选TYPE-C 叫焊器设计一测试, 保持TYPE-C 表面干净勿沾任何油污。

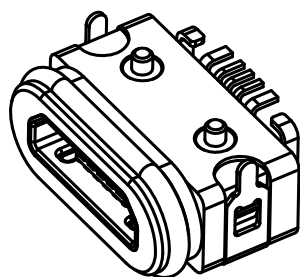
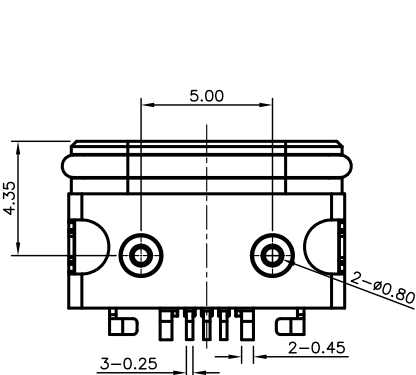


RECOMMENDED P.C.B. LAYOUT (TOP VIEW)
GENERAL TOLERANCE: ±0.05



SPECIFICATIONS:

1. ELECTRICAL CHARACTERISTICS:
 - 1.1. RATING: 3A(PIN1&5),0.5A(PIN2&3&4);
 - 1.2. CONTACT RESISTANCE: 30 mΩ MAX.(INITIAL);
 - 1.3. DIELECTRIC WITHSTANDING: 500V AC MIN.;
 - 1.4. INSULATION RESISTANCE: 1000MΩ MIN.;
2. DURABILITY: 10,000 CYCLES MIN.;
3. INSERTION FORCE: 3.5Kgf (35N) Max.;
4. EXTRACTION FORCE: 0.8Kgf (8N) Min.;
5. WATER PROOFNESS: THIS PRODUCT IS BASED ON IPX8.
6. PLUG INTERFACE DIMENSIONS CONFORM TO USB2.0 SPEC.
7. PACKAGING: TAPE & REEL.



Contact Number	Signal Name	Remarks
1#	VBUS	Power
2#	D-	Date-
3#	D+	Date+
4#	ID	Reserve or Gound
5#	GND	Ground

3	Shell1/2	2	Ni Plating	
2	Contact	6	Phosphor bronze Au/Tin Plating T=0.20mm	
1	Housing	1	PA10T (G.F30%)	
ITEM	PART NAME	QTY	FINISH	NOTE
X	±0.50	X*	± 2°	UNITS mm
X	±0.30	X*	± 1°	
.XX	±0.20	.XX*	± 0.5°	
.XXX	± 0.05			
			MAT'L	PART NO. USB-1119IPX8-00
			FINISH	
			Q'TY	APPD: CHKD: DR: Steven.Rao 2020/06/18
				DWG NO. USB-1119IPX8-00
				SCALE SHEET REV. 1/1 1/1 A1

THESE DRAWINGS AND SPECIFICATIONS ARE THE PROPERTY OF E-ZONE ELECTRONIC TECHNOLOGY CO.,LTD. AND SHALL NOT BE REPRODUCED, COPIED OR USED IN ANY MANNER WITHOUT THE PRIOR WRITTEN CONSENT OF E-ZONE ELECTRONIC TECHNOLOGY CO., LTD.

东莞市铭标电子科技有限公司