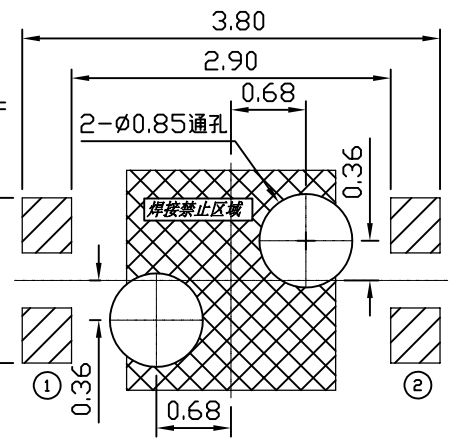
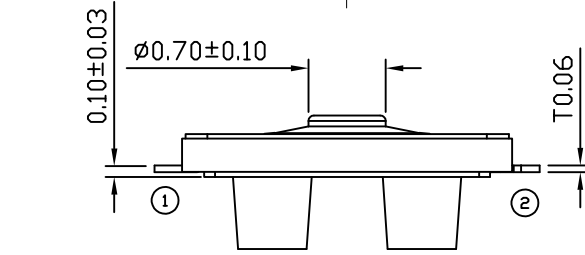
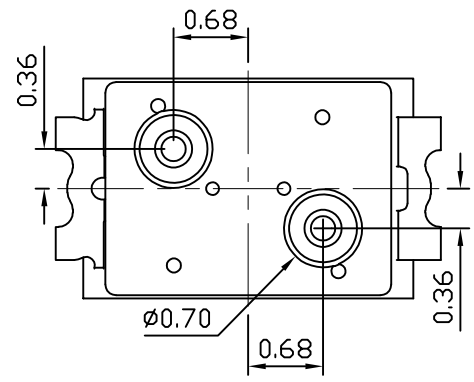
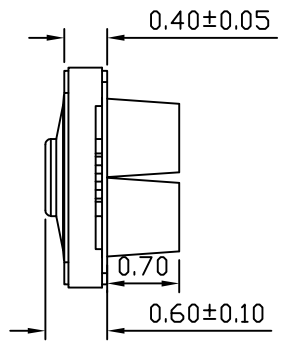
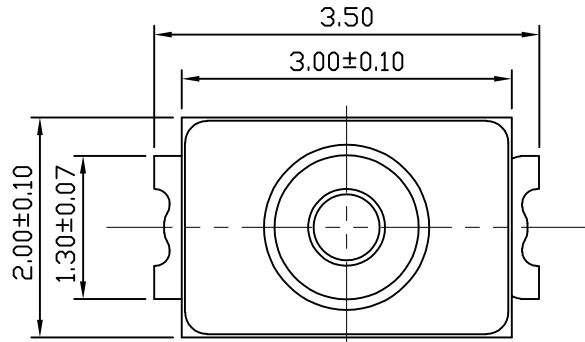
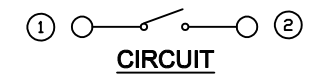


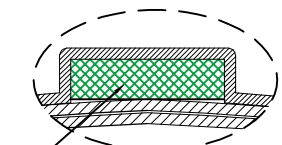
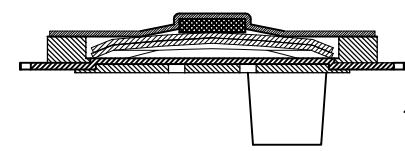
本公司智慧财产未经许可不得复制
ning biao copyright, may not be used without permission from ning biao.



P.C.B LAYOUT



CIRCUIT



点在膜内
SCALE B=2/1

SPECIFICATIONS:

- Operating temperature range: -30°C to +85°C
- Rating: 50mA, 12V DC Max
- Insulation resistance: 100MΩ min, 100V DC
- Dielectric strength: 100V AC for 1min
- Contact resistance: 100mΩ Max
- Life: 100,000 Cycles
- Travel: 0.18 ± 0.05mm
- Operating force: 300 ± 50gf



		东莞市铭标电子科技有限公司 Ming Biao Electronic Technology Co., Ltd.					
TOLERANCE		DESIGN	DATE	TITLE	Tact Switch		
UNLESS OTHERWISE STATED		WYJ	2017. 10. 19				
X.X	±0.20	SIZE	A4	CHKD	DATE	MODEL	TAF03-BWX-R-P
X.XX	±0.15	REV	A	APPD	DATE	SHEET	1/3
X.XXX	±0.10	UNIT	mm			PRINT DATE	2023.12.29
∠	±2°	SCALE	15:1				