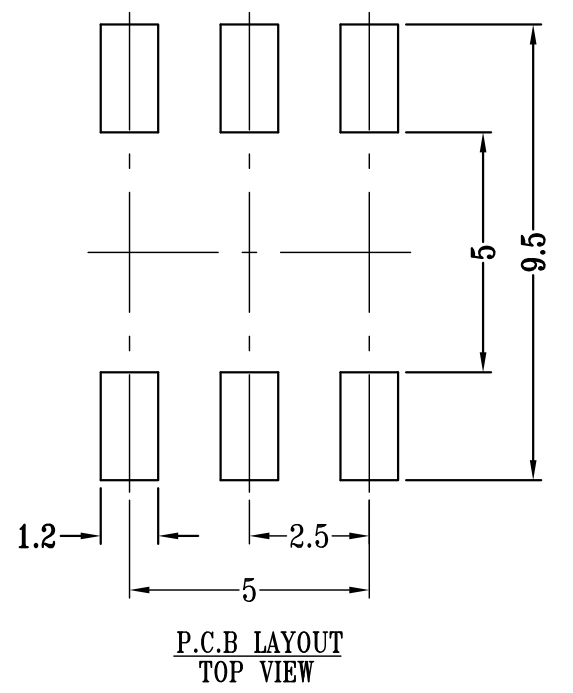
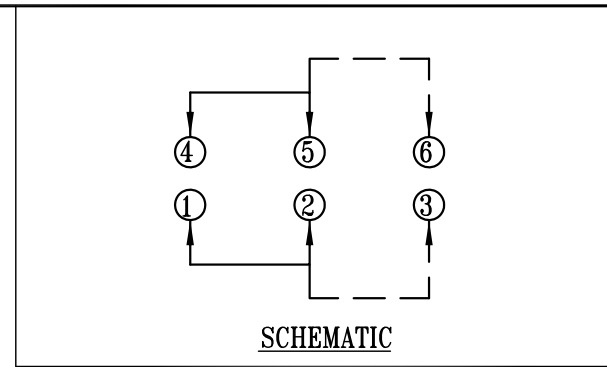
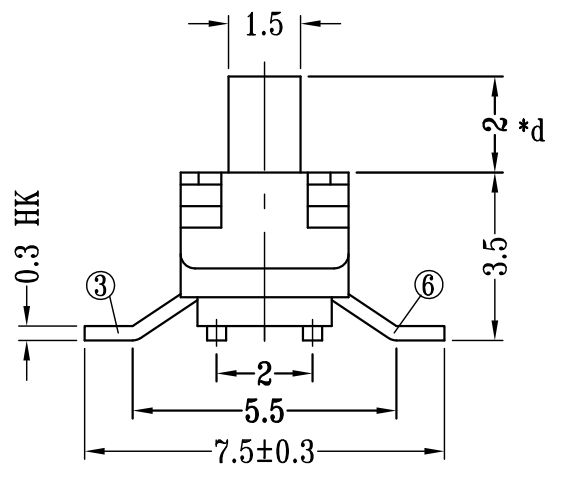
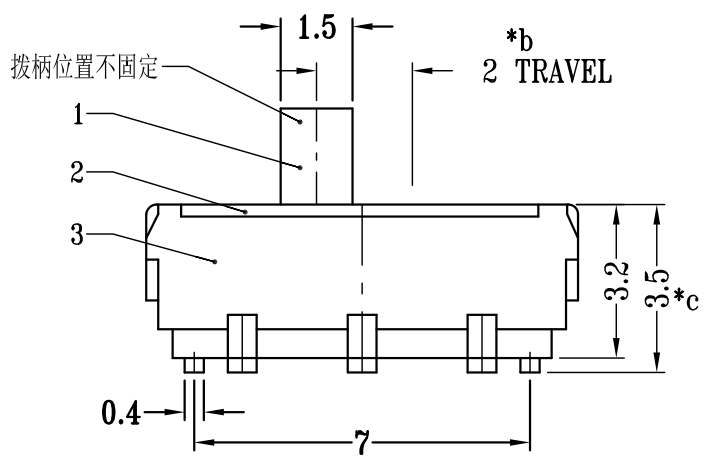
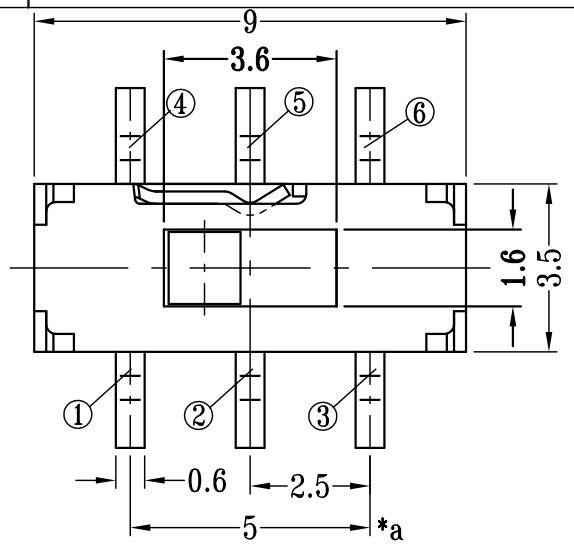


CAD FILE:



注：“*”表示关键尺寸(4个).

8									
7									
6									
5									
4	CONTACT	PBS WIRE	2	Ag PLATED					
3	CASE/TERMINAL	PPA/BRASS STRIP	1	BLACK/Ag PLATED					
2	COVER	SUS	1	NATURAL					
1	KNOB	PPA	1	BLACK					
NO.	PARTS	MATERIALS	Q'TY	FINISH					
					TOLERANCE UNLESS SPECIFIED				
					WITHIN 1.5mm : ±0.1mm	A	2019-09-06	初 版	
					OVER 1.5mm : ±0.2mm	ISSUE	DATE	DESCRIPTORS OF REVISION	
					TITLE : MINI SLIDE SWITCH			UNIT : mm	DRWG NO.: HQ-DR-MS22D17G2-00
					MODEL: MS22D17G2-B弹线			SCALE: 6:1	DWN. 王远杰 2019-09-06
					东莞市铭标电子科技有限公司 Ming Mark Electronic Technology Co., Ltd.			CHK'D	朱明华 2019-09-06
					RoHS			APPD.	