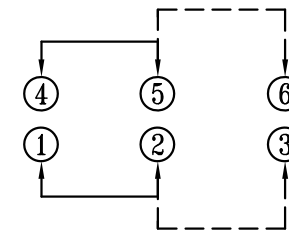
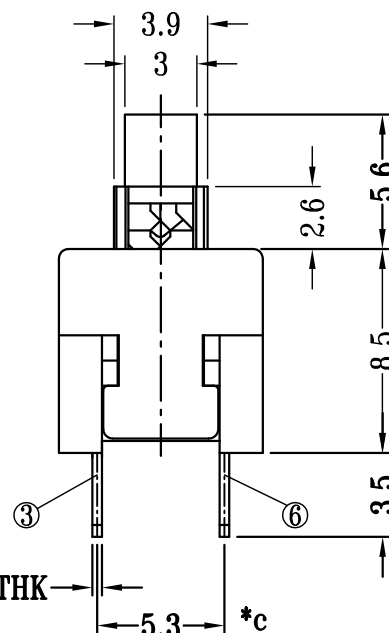
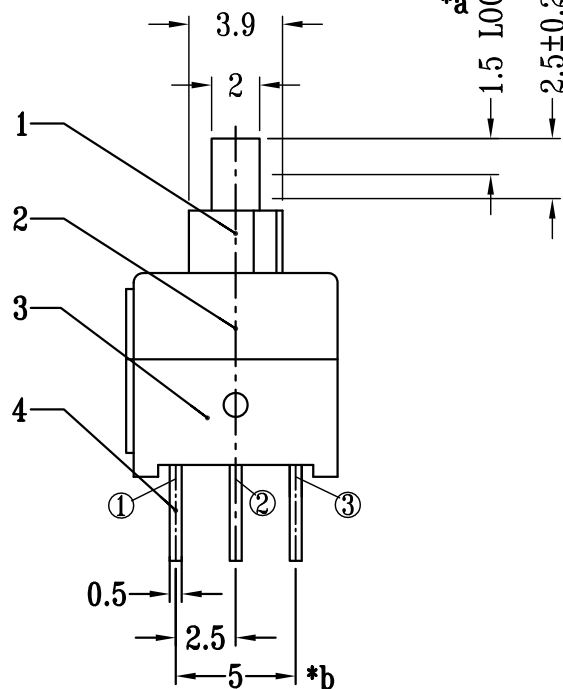
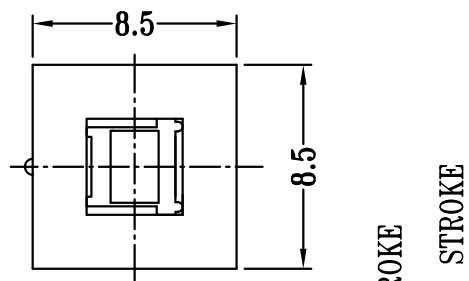
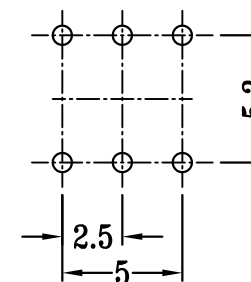


CAD FILE:



SCHEMATIC (NON-SHORTING)



P.C.B LAYOUT
BOTTOM VIEW

注：“*”表示关键尺寸(3个).

8									
7	CONTACT CLIP	PBS C5210R-EH	2	Ag CLAD	TOLERANCE UNLESS SPECIFIED				
6	SPRING	SUS	1	NATURAL	WITHIN 1.5mm : ±0.1mm	A	2019-10-10	初版	王远杰
5	CAM STICK	SUS	1	NATURAL	OVER 1.5mm : ±0.2mm	ISSUE	DATE	DESCRIPTIONS OF REVISION	APPD.
4	TERMINAL	BRASS STRIP	6	Ag PLATED	TITLE : VERTICAL PUSH SWITCH		UNIT : mm	DRWG NO.: HQ-DR-PB22E86-00	
3	CASE	PPA	1	BLACK	MODEL: PB-22E86		SCALE: 3:1	DWN.	王远杰
2	COVER	PA66	1	BLACK	东莞市铭标电子科技有限公司 Ming Mark Electronic Technology Co., Ltd.		CHK'D		2019-10-10
1	KNOB	POM	1	WHITE			APPD.		
NO.	PARTS	MATERIALS	Q'TY	FINISH	RoHS				