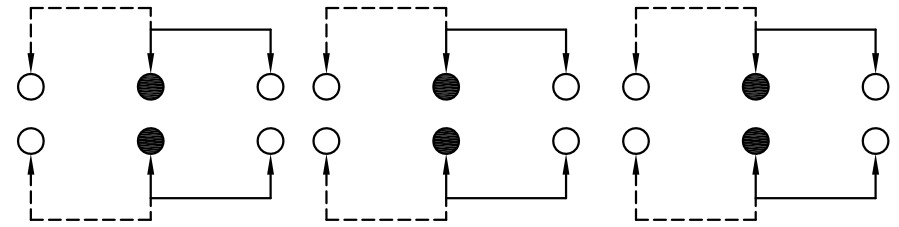
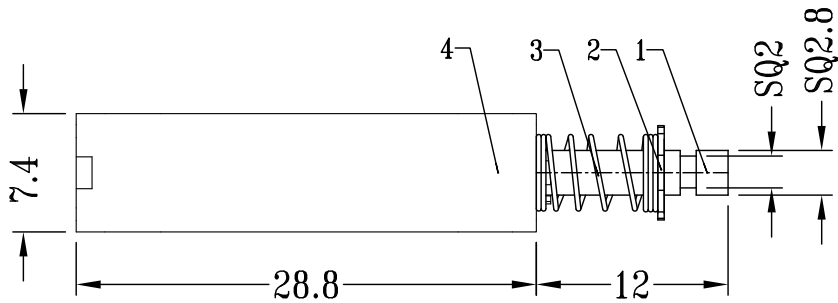
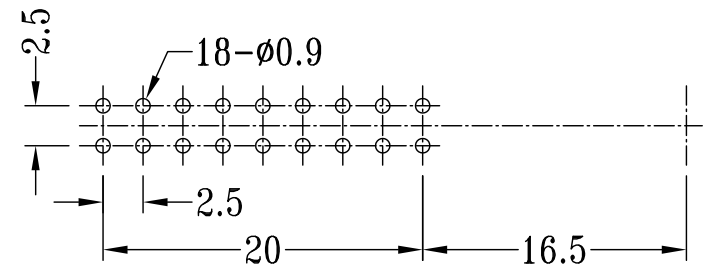
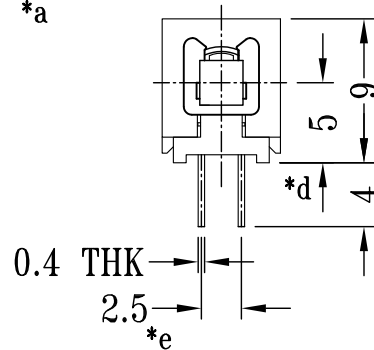
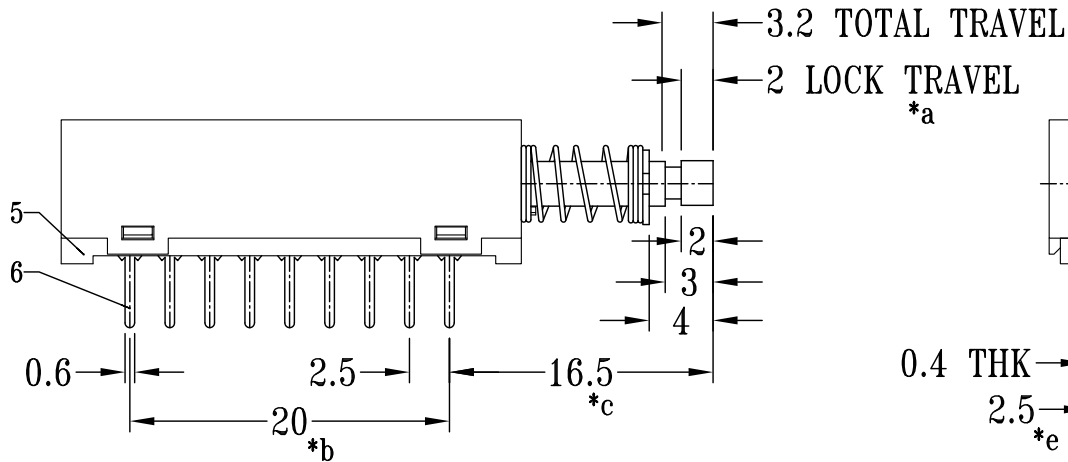


CAD FILE:



SCHEMATIC (NON-SHORTING)



P.C.B LAYOUT
BOTTOM VIEW

10				
9	SPRING PLATE	PBS STRIP	1	NATURAL
8	CONTACT CLIP	PBS C5210R-EH	6	Ag CLAD
7	CAM STICK	BRASS WIRE	1	Ni PLATED
6	TERMINAL	BRASS STRIP	18	Ag PLATED
5	BASE	PPA	1	BLACK
4	COVER	PC	1	BLUE
3	SPRING	STEEL WIRE	1	Ni PLATED
2	BLOCK	STEEL STRIP	1	Ni PLATED
1	KNOB	PA66	1	BLACK
NO.	PARTS	MATERIALS	Q'TY	FINISH

注：“*”表示关键尺寸(5个).

TOLERANCE UNLESS SPECIFIED					
WITHIN 1.5mm : ±0.1mm	A	2021-07-05	初版		
OVER 1.5mm : ±0.2mm	ISSUE	DATE	DESCRIPTIONS OF REVISION		
TITLE : PLASTIC PUSH SWITCH		UNIT : mm	DRWG NO.: HQ-DR-PBS62D02-00		
MODEL: PBS-62D02		SCALE: 2:1	DWN.	王远杰	2021-07-05
东莞市铭标电子科技有限公司 Ming Mark Electronic Technology Co., Ltd.		RoHS	CHK'D	朱明华	2021-07-05
			APPD.		