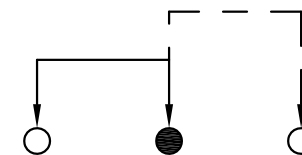
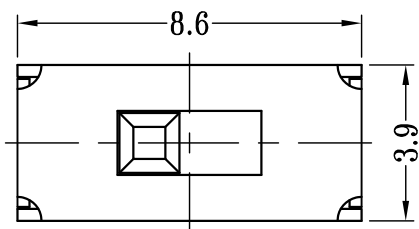
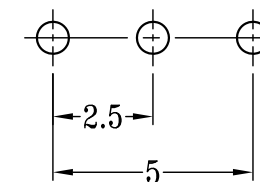
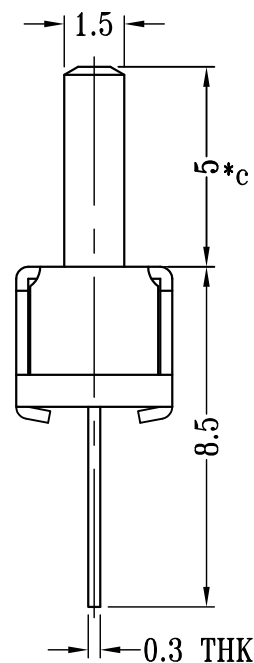
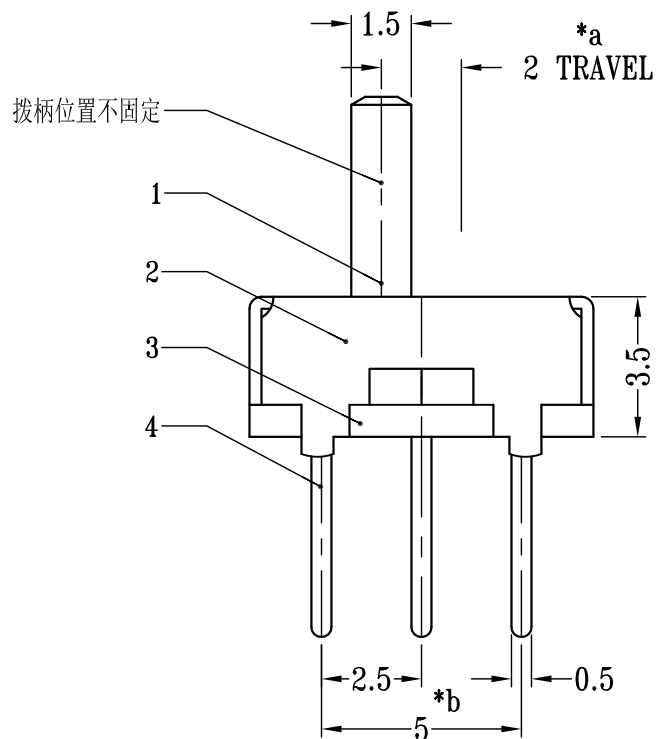




CAD FILE:



SCHEMATIC (NON-SHORTING)

P.C.B LAYOUT  
BOTTOM VIEW

注：“\*”表示关键尺寸(3个)

NO.	PARTS	MATERIALS	QTY	FINISH	TOLERANCE UNLESS SPECIFIED				
8									
7									
6					WITHIN 1.5mm : ±0.1mm OVER 1.5mm : ±0.2mm	A	2019-09-13	初版	王远杰
5	CONTACT CLIP	PBS C5210R-EH	1	Ag CLAD		ISSUE	DATE	DESCRIPTIONS OF REVISION	APPD.
4	TERMINAL	BRASS STRIP	3	Ag PLATED	TITLE : VERTICAL SLIDE SWITCH			UNIT : mm	DRWG NO.: HQ-DR-SS12D01G5-00
3	BASE	PHENOLIC RESIN	1	NATURAL	MODEL: SS12D01G5-NF-Cs			SCALE: 5:1	DWN. 王远杰 2019-09-13
2	FRAME	STEEL STRIP	1	Ni PLATEFD	东莞市铭标电子科技有限公司 Ming Mark Electronic Technology Co., Ltd.			CHK'D	朱明华 2019-09-13
1	KNOB	PA66	1	BLACK				RoHS	