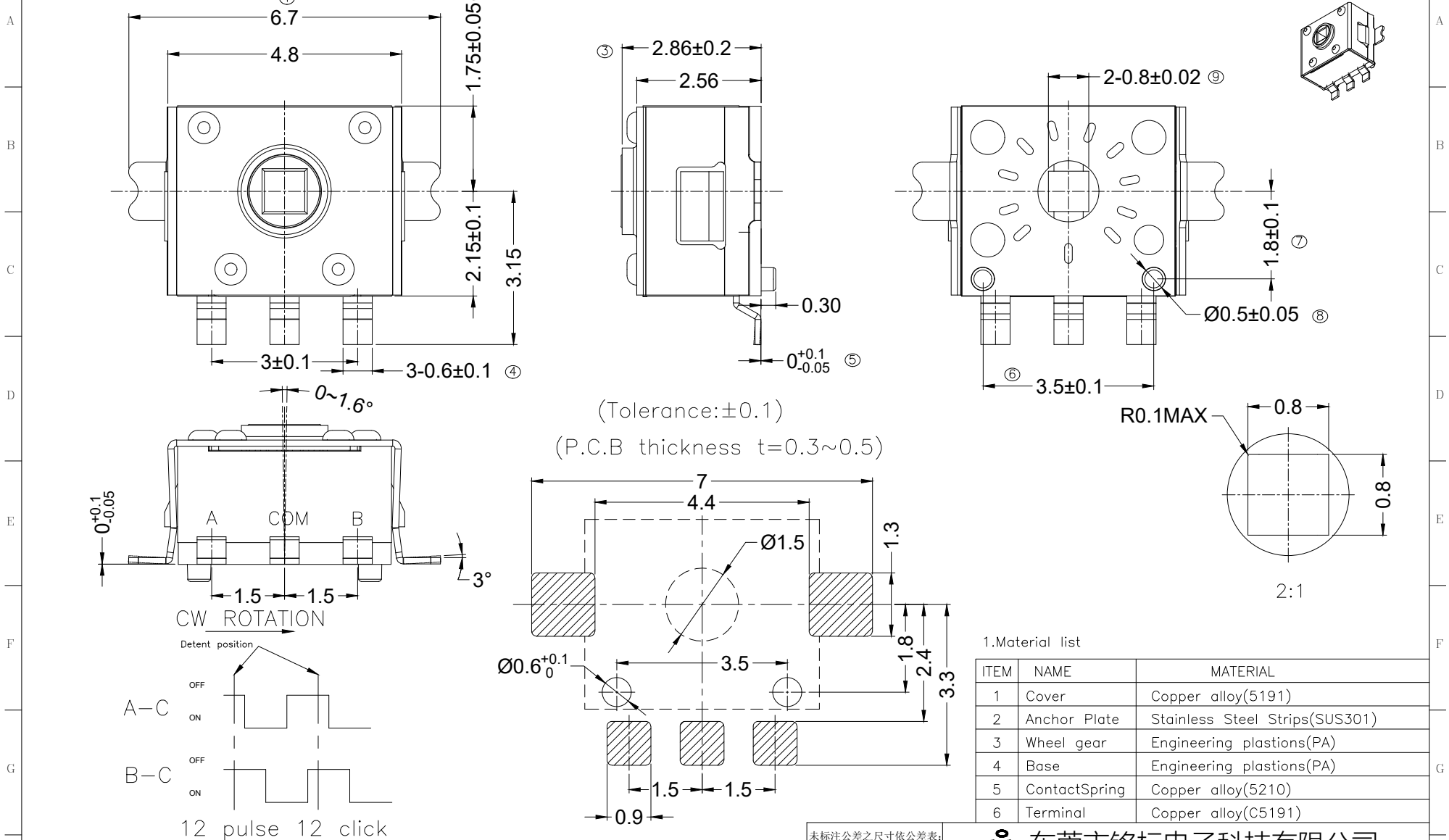


1 2 3 4 5 6 7 8 9 10



1. Material list

ITEM	NAME	MATERIAL
1	Cover	Copper alloy(5191)
2	Anchor Plate	Stainless Steel Strips(SUS301)
3	Wheel gear	Engineering plastions(PA)
4	Base	Engineering plastions(PA)
5	ContactSpring	Copper alloy(5210)
6	Terminal	Copper alloy(C5191)

未标注公差之尺寸依公差表:

东莞市铭标电子科技有限公司

X	±0.3	DR:	DATE:	TITLE:
X.X	±0.2	CHKD:	DATE:	EVBM01-F-R
X.XX	±0.15	APPD:	DATE:	
X.XXX	±0.1	PART NAME:	REV: A	SCALE: 1:1
ANGLES	±3°	DWG NO:	SIZE: A4	SHEET: 1/1

UNIT:mm

ITEM	PART NAME	Q'TY	MATERIAL	DESCRIPTION
05				
04				
03				
02				
01				