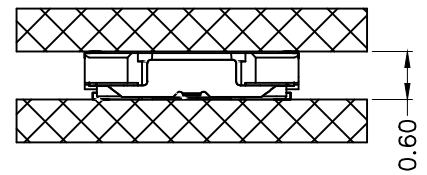
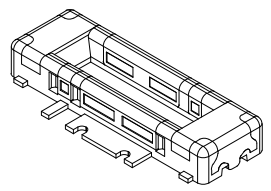
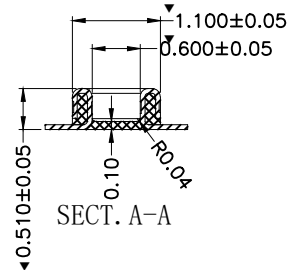
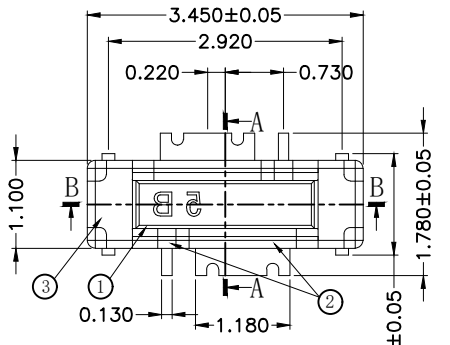
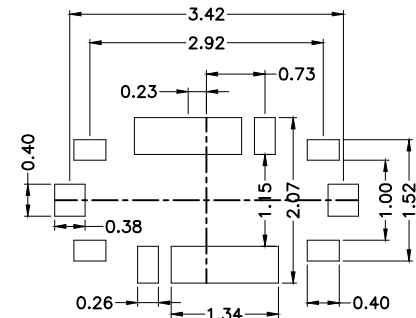
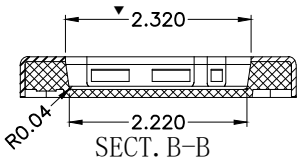
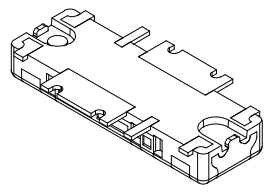
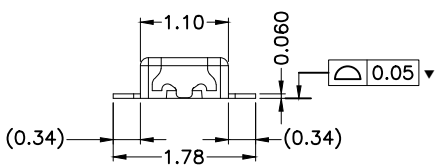
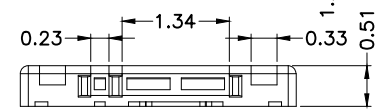


版本	变更日期	变更内容	责任人	备注
B	2022. 04. 25	增加产品材质电镀和模穴数说明	Liuzheng	

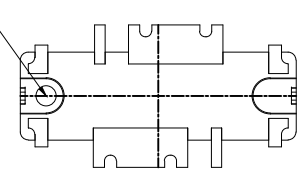


嵌合状态
MATING CONDITION



Recommended PCB layout

进胶点, 不许高出胶芯面



MIB-006M004-XX

SERIAL NUMBER
M: PLUG
P: SOCKET

未注: 全金
G: 隔镍
AA: 带脚隔镍
NUMBER OF CONTACTS

- 备注:
1. 塑胶材质: LCP UL 94V-0 BLACK;
 2. 端子材质: C7025 T=0.06mm
 3. 固定片材质: C5191 T=0.06mm
 4. 模穴号 (5A~5X), 24穴/模;
 5. ▼符号为QIP管控尺寸;
 6. 电镀:
端子, 镀金5u"MIN. 镍底50u" MIN.
固定片, 镀金5u"MIN. 镍底50u" MIN.

3	HOLD DOWN	2	C5191	GOLD (5u" MIN.), NICKEL 50u" MIN. OVER ALL	CONTACT AREA : GOLD (5u" MIN)
2	POWER CONTACT	4	C7025	GOLD (5u" MIN.), NICKEL 50u" MIN. OVER ALL	CONTACT AREA : GOLD (5u" MIN)
1	INSULATOR	1	LCP	--	--
NO.	DESCRIPTION	QTY.	MATERIAL	FINISH	REMARKS

X,±	X°,±	UNITS mm	NAME<INTENDED USE>	TITLE: PLUG CONNECTOR		
.X± 0.05	.X°± 1°	MAT'L	PART NO.<INTENDED USE>			
.XX± 0.02	.XX°± 0.5°	N/A	APPD:			
.XXX± 0.015	.XXX°±	FINISH	DRG NO.: MIB-006M004			
THE GENERATED DRAWING IS BY ACAD, PROE OR IDEAS.DO NOT CHANGE BY HAND.			Q'TY	CHKD:		
			N/A	DR:		
				SCALE	SHEET	REV.
				1:1	1/1	B