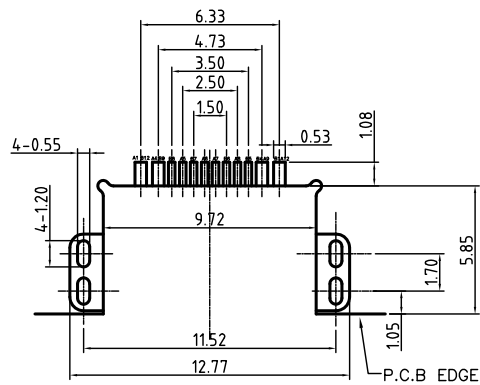
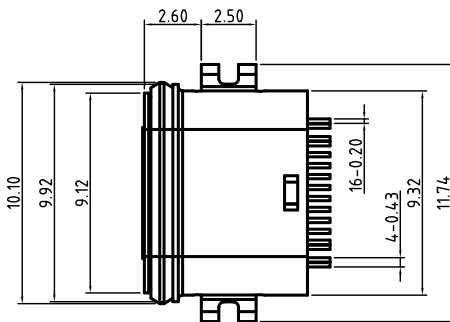
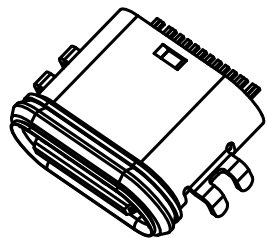
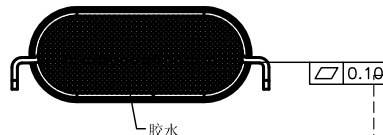
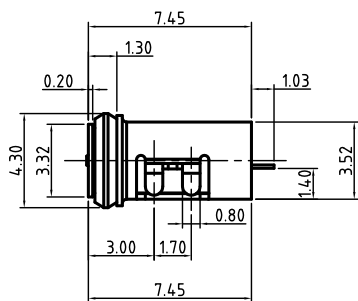
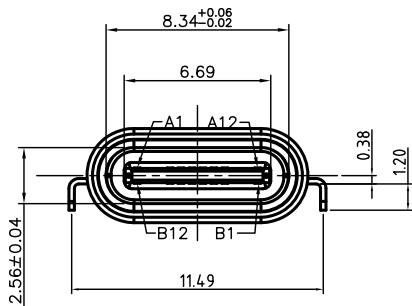


REV.	ECN. NO.	APPD.
A	PCD板孔0.65~0.55	



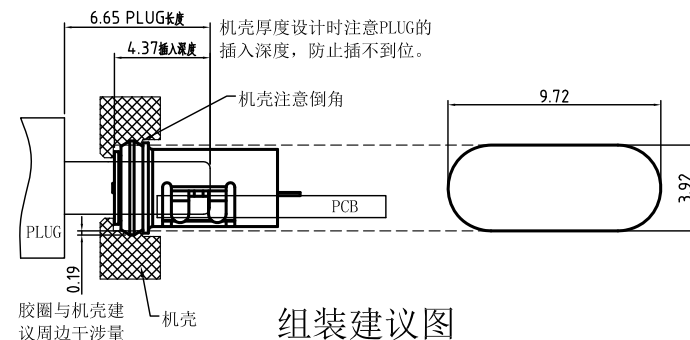
RECOMMENDED PCB LAYOUT(TOP VIEW)
DEFAULT TOLERANCE:±0.05

- MATERIAL SPECIFICATION:
 - HOUSING:HIGH TEMPERATURE RESISTANT PLASTIC,UL94 V-0.
 - CONTACTS:High Conductivity Copper
 - MID PLATE: STAINLESS STEEL
 - FRONT SHELL: STAINLESS STEEL
- MECHANICAL PERFORMANCE,
 - INSERTION FORCE: 5~20N.
 - REMOVAL FORCE: 8~20N.
 - DURABILITY: 10000 CYCLES.
- ELECTRICAL PERFORMANCE,
 - CURRENT RATING:3.0A
VOLTAGE RATING:12V
 - LLCR:
VBUS & GND PINS AND OTHER PINS: 40mΩ/PIN MAX.
SHIELD: 50mΩ/MAX.
 - INSULATION RESISTANCE: 100MΩ MIN
 - DIELECTRIC WITHSTAND VOLTAGE,AC 100V FOR 1 MINUTE.
- ENVIRONMENTAL PERFORMANCE:
 - OPERATING TEMPERATURE: -25°C~+85°C.
 - IR REFLOW:
THE PEAK TEMPERATURE ON THE BOARD SHALL BE MAINTAINED FOR 10 SECONDS AT 260°C.

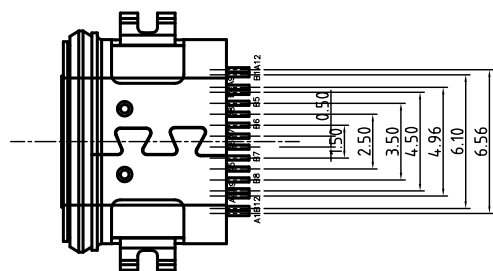


结构设计注意:

- 成品使用时, 如有洗面奶泡沫、牙膏、洗手液、脏污液体, 请在TYPE-C口外面再设计一层外壳, 保护TYPE-C表面金手指不会被脏污覆盖。



组装建议图



USB TYPE-C PIN ASSIGNMENTS

PIN NUMBER	SIGNAL NAME	PIN NUMBER	SIGNAL NAME
A1	GND	B12	GND
A4	VBUS	B9	VBUS
A5	CC1	B8	SBU2
A6	Dp1	B7	Dn2
A7	Dn1	B6	Dp2
A8	SBU1	B5	CC2
A9	VBUS	B4	VBUS
A12	GND	B1	GND

P/N	LOGO	SHELL	CONTACT	SOLDER	PAKING	SHELL MATERIAL
USBC-0022IPX7-00		NI	3u" Au	Fu" Au	REEL	SUS

UNITS mm	东莞市铭标电子科技有限公司	
MAT'L	PART NO. USBC-0022IPX7-00	TITLE: USB TYPE C 16PIN (间距1.4MM)
FINISH	APPD: RADOM	DWG NO. : USBC-0022IPX7-00
Q'TY	CHKD: MARK	SCALE SHEET REV. 1/1 1/1 A1
	DR: Steven.Rao 2020/09/09	

X.	±0.50	X.°	± 2°
.X	±0.30	.X°	± 1°
.XX	±0.20	.XX°	± 0.5°
.XXX	± 0.05		