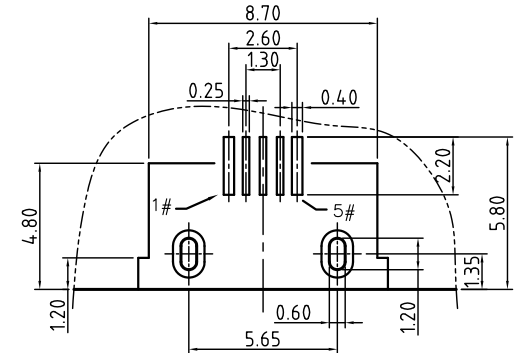
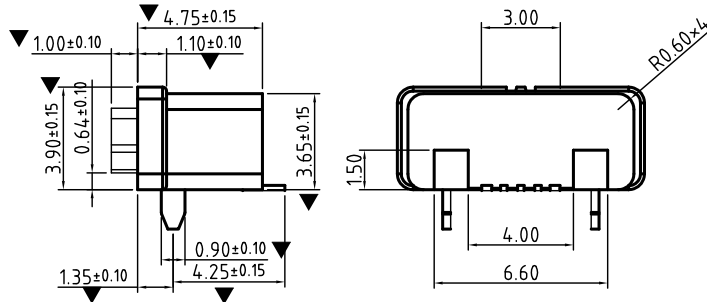
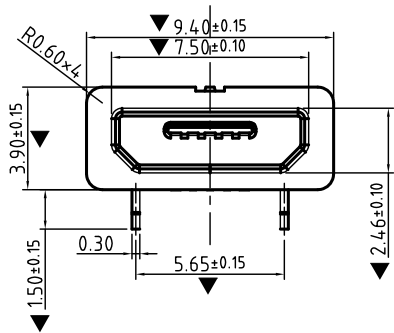


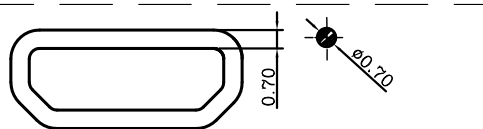
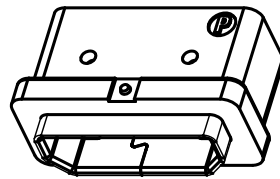
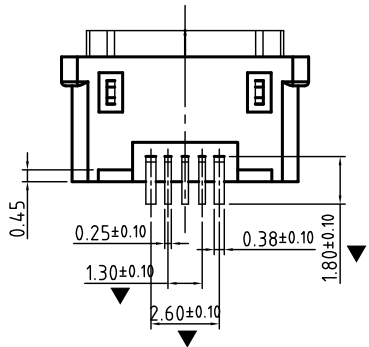
注：设计时，请注意公头插入时的距离，防止公头插不到底。

- SPECIFICATIONS:
- ELECTRICAL CHARACTERISTICS:
 - RATING: 3A(PIN1&5),0.5A(PIN2&3&4);
 - CONTACT RESISTANCE: 30 mΩ MAX.(INITIAL);
 - DIELECTRIC WITHSTANDING: 500V AC MIN.;
 - INSULATION RESISTANCE: 1000MΩ MIN.;
 - DURABILITY: 5,000 CYCLES MIN.;
 - INSERTION FORCE: 3.5Kgf (35N) Max.;
 - EXTRACTION FORCE: 0.8Kgf (8N) Min.;
 - WATER PROOFNESS: THIS PRODUCT IS BASED ON IPX6.
 - PLUG INTERFACE DIMENSIONS CONFORM TO USB2.0 SPEC.
 - PACKAGING: TAPE & REEL.

组装示意图



P.C.B LAYOUT



注：防水圈是圆形截面，直径为0.7mm的硅胶圈
防水圈挤压力，由0.7mm挤压到0.3mm ~ 0.4mm，防水效果好

Contact Number	Signal Name	Remarks
1#	VBUS	Power
2#	D-	Date-
3#	D+	Date+
4#	ID	Reserve or Gound
5#	GND	Gound

3	Shell	1	SUS304R-1/2H Ni PlatingT=0.30mm							
2	Contact	5	BRASS C2680R-H Au/Ni Plating T=0.20mm							
1	Housing	1	PA10T (G.F30%)							
ITEM	PART NAME	Q' TY	FINISH	NOTE						
X.	±0.50	X.° ± 2°	UNITS	东莞市铭标电子科技有限公司 PART NO. USB-1101IPX6-01 TITLE: Micro USB 5Pin SMT (B) Type (贴片插针) DWG NO.: USB-1101IPX6-01						
.X	±0.30	.X° ± 1°	mm							
.XX	±0.20	.XX° ± 0.5°	MAT'L							
.XXX	±0.05									
THESE DRAWINGS AND SPECIFICATIONS ARE THE PROPERTY OF E-ZONE ELECTRONIC TECHNOLOGY CO.,LTD.AND SHALL NOT BE REPRODUCED, COPIED OR USED IN ANY MANNER WITHOUT THE PRIOR WRITTEN CONSENT OF E-ZONE ELECTRONIC TECHNOLOGY CO., LTD				DR: Steven.Rao 2016/08/08						
FINISH			APPD: RADOM							
Q' TY			CHKD: MARK							
			DR: Steven.Rao 2016/08/08	<table border="1"> <tr> <td>SCALE</td> <td>SHEET</td> <td>REV.</td> </tr> <tr> <td>1/1</td> <td>1/1</td> <td>A1</td> </tr> </table>	SCALE	SHEET	REV.	1/1	1/1	A1
SCALE	SHEET	REV.								
1/1	1/1	A1								