

CAD GENERATED DRAWING. DON'T CHANGE BY HAND.

| REV. | ECN. NO. | APPD. |
|------|----------|-------|
| | | |

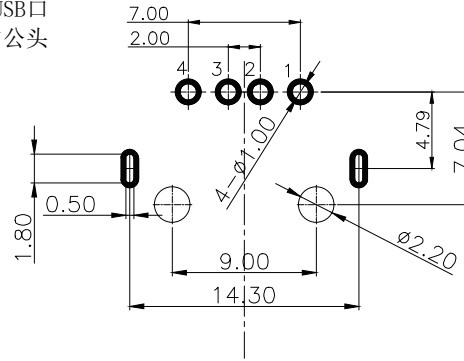
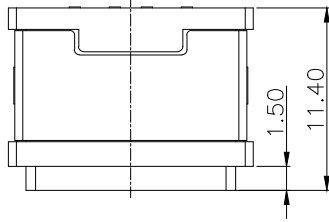
结构设计注意:

1. 成品使用时, 如有洗面奶泡沫、牙膏、洗手液、脏污液体, 请在USB口外面再设计一层外壳, 保护USB与公头对插的导电部份不会被脏污覆盖。

NOTES:

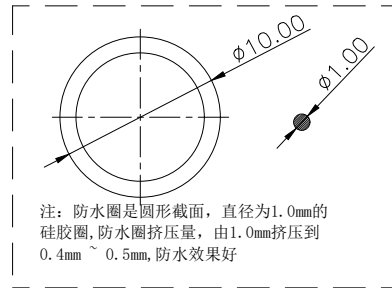
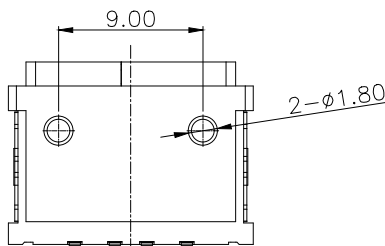
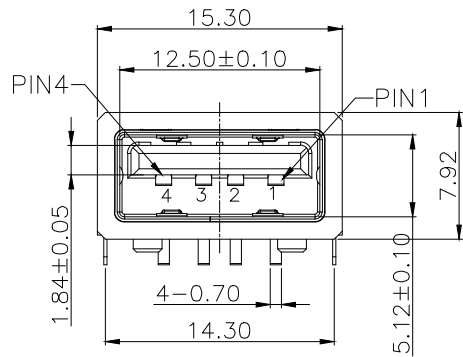
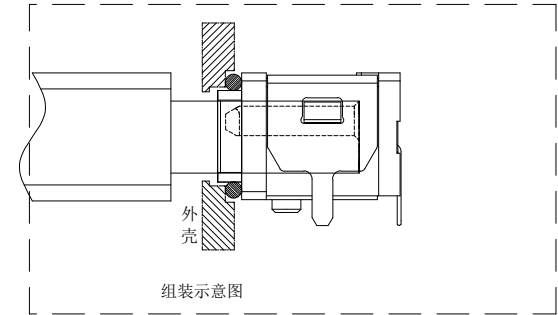
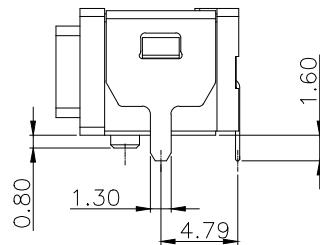
SPECIFICATION:

- CURRENT RATING: 3.0A MAX
- DIELECTRIC WITHSTAND VOLTAGE: 100VAC
- TEMPERATURE RANGE: -30 °C ~ 85 °C
- CONTACT RESISTANCE: 40 MILLIONHM MAX
- INSULATION RESISTANCE: 100 MEGOHMS MIN.
- INSERTION FORCE :10N~30N
- UNMATING FORCE: 8N~30N
- DURABILITY:1500 CYCLES



RECOMMENDED PCB LAYOUT(TOP VIEW)

THICKNESS T=1.0mm
DEFAULT TOLERANCE+/-0.05



PIN ASSIGNMENT

| PIN NO. | 1 | 2 | 3 | 4 |
|-------------|------|----|----|-----|
| SIGNAL NAME | VBUS | D- | D+ | GND |

| 5 | Outer Shell | 1 | SUS 301 1/4H | |
|------|---------------|-------------|--|----------------------------------|
| 4 | Inner Shell | 1 | SUS 301 1/4H | |
| 3 | PLASTIC Shell | 1 | PA10T (G.F30%) | |
| 2 | Contact | 4 | C7025 Ni 50U" Au1U" Plating Solder area Sn 100-150U | |
| 1 | Housing | 1 | PA10T (G.F30%) | |
| ITEM | PART NAME | Q' TY | FINISH | NOTE |
| .X | ±0.50 | X.° ± 2° | UNITS | 东莞市铭标电子科技有限公司 |
| .X | ±0.30 | .X° ± 1° | mm | |
| .XX | ±0.10 | .XX° ± 0.5° | MAT'L | |
| .XXX | ±0.05 | | | |
| | | | | |
| | | | FINISH | PART NO. USB-1123IPX7-02 |
| | | | Q' TY | TITLE: WATERPROFF USB 2.0 A TYPE |
| | | | | DWG NO.: USB-1123IPX7-02 |
| | | | | SCALE SHEET REV. |
| | | | | 1/1 1/1 A1 |
| | | | | DR: JANE CHOU 2021/10/20 |