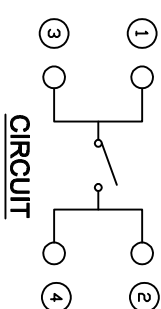
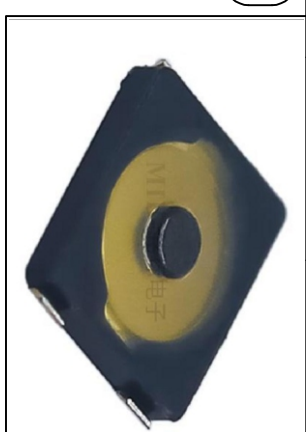
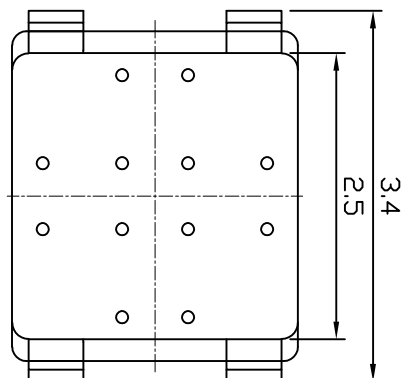
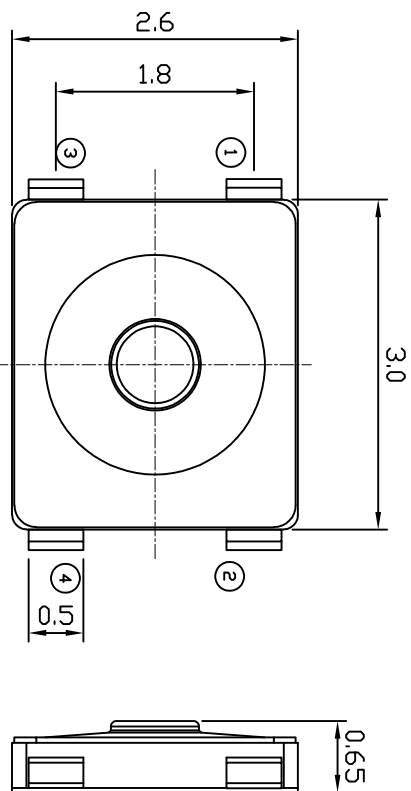


1 2 3 4 5 6 7 8 9 10

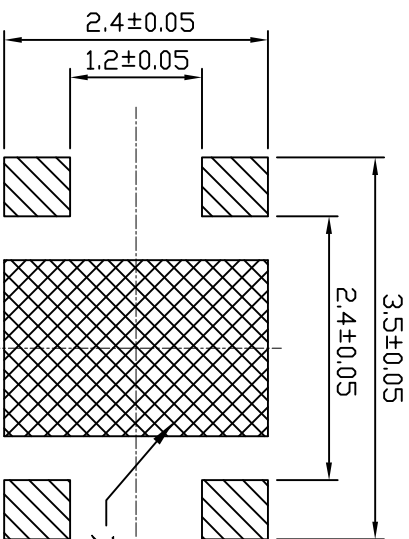


CIRCUIT

本公司智慧财产未经许可不得复制  
Ming Biao copyright may not be used without permission from ming biao.

### SPECIFICATIONS:

Operating temperature range:  $-30^{\circ}\text{C}$  to  $+85^{\circ}\text{C}$   
 Rating: Max 50 mA 12V DC  
 Insulation resistance:  $100\text{M}\Omega$  min. 100V DC  
 Dielectric strength: 100V AC, 1W min  
 Contact resistance:  $100\text{m}\Omega$  Max  
 Life: 100,000 Cycles  
 Travel:  $0.13 \pm 0.05\text{mm}$   
 Operating force:  $160 \pm 50\text{gf}$



PCB LAYOUT

布线禁止区



<b>东莞市铭标电子科技有限公司</b> Ming Biao Electronic Technology Co., Ltd.			
<b>TOLERANCE</b> UNLESS OTHERWISE STATED		<b>DESIGN</b> 2024.03.21	
XX	±0.20	SIZE	A4
XX	±0.15	REV	A
XXX	±0.10	UNIT	mm
∠	±2°	SCALE	15:1
<b>DATE</b> 2024.03.21		<b>TITLE</b> Tact Switch	
<b>CHKD</b> 2024.03.21		<b>MODEL</b> TAU06-BYJ-R	
<b>APPD</b> DATE		<b>SHEET</b> 1/3	
<b>PRINT DATE</b> 2024.04.16			