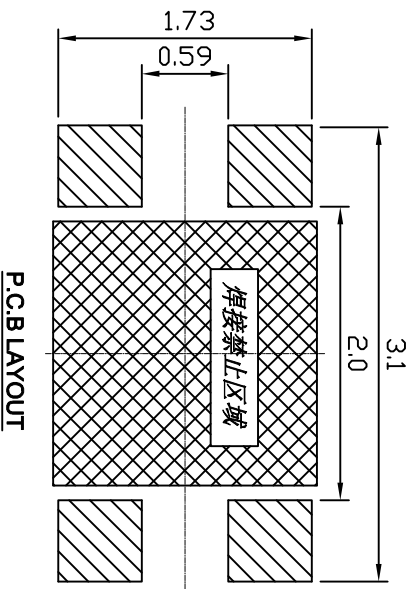
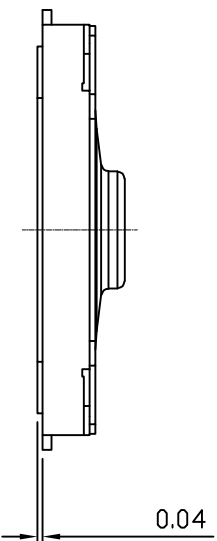
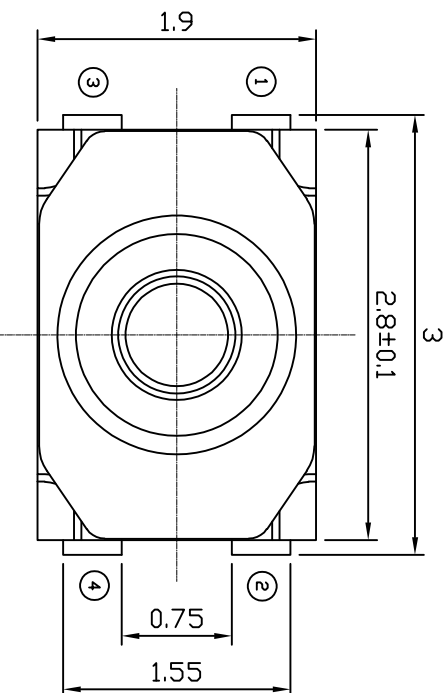
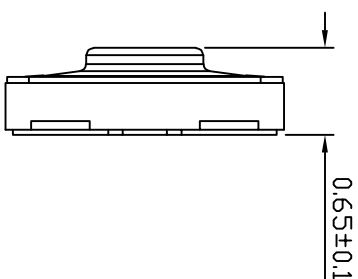
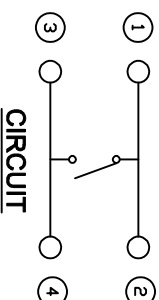


本公司智慧财产未经许可不得复制
ming biao copyright may not be used without permission from ming biao.



PCB LAYOUT



SPECIFICATIONS:

Operating temperature range: -30°C to +85°C
Rating: Max 50 mA 12V DC Min 10 μ A 1V DC
Insulation resistance: 100M Ω min. 100V DC
Dielectric strength: 100V AC 1Min
Contact resistance: 100m Ω Max
Life: 100,000 Cycles
Travel: 0.16 \pm 0.05mm
Operating force: 250 \pm 50gf

ROHS COMPLIANT		Pb Pb-Free		HF Halogen Free		东莞市铭标电子科技有限公司 Ming Biao Electronic Technology Co., Ltd.	
TOLERANCE				DESIGN		DATE	
UNLESS OTHERWISE STATED				9999		2024.03.25	
XX	±0.20	SIZE	A4	CHKD	DATE	Title	
XX	±0.15	REV	A	APPD	DATE	Tact Switch	
X.XXX	±0.10	UNIT	mm			MODEL	TAF02-BYC-R
∠	±2°	SCALE	20:1	SHEET	1/3		
				PRINT DATE	2024.04.10		

