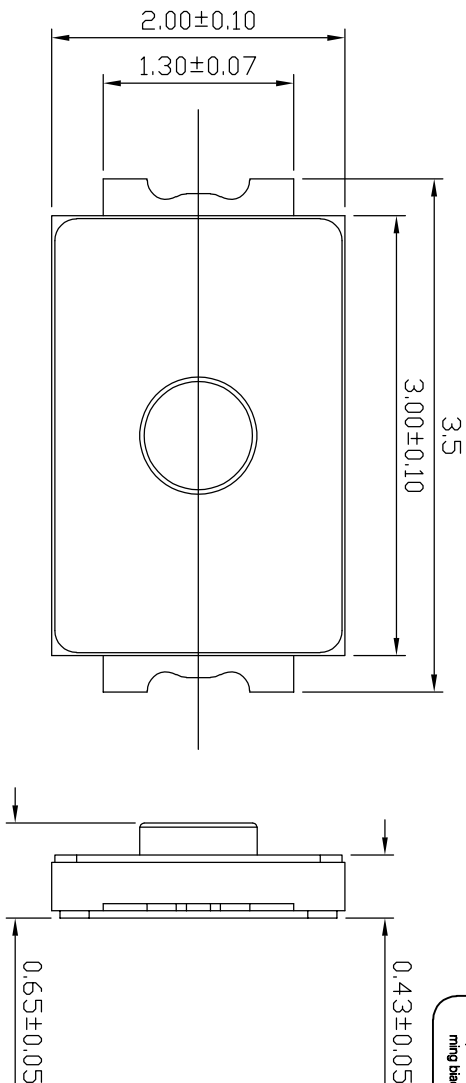
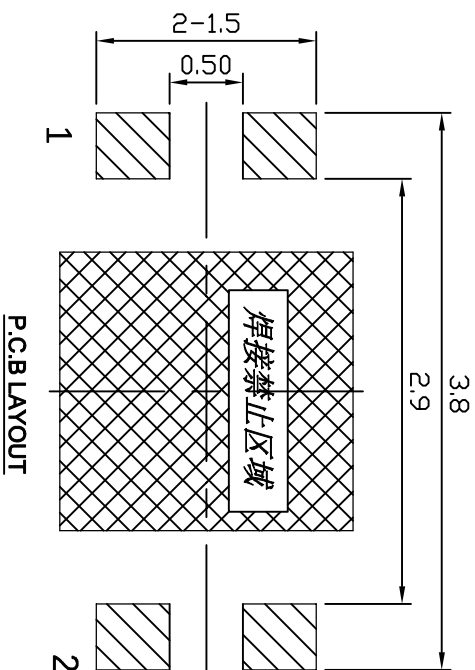
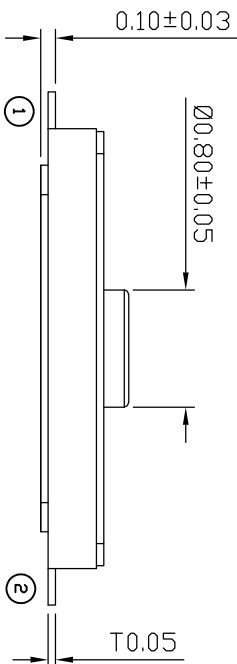
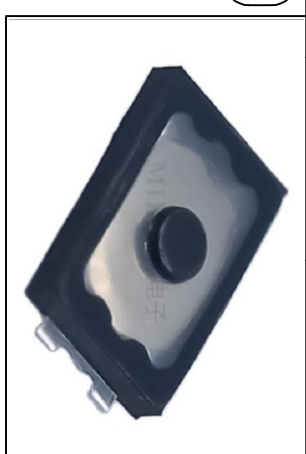


1 2 3 4 5 6 7 8 9 10



本公司智慧财产未经许可不得复制  
 Ming Biao copyright may not be used without permission from ming biao.



### SPECIFICATIONS:

Operating temperature range: -30°C to +85°C  
 Rating: Max 50 mA 12V DC  
 Insulation resistance: 100MΩ min. 100V DC  
 Dielectric strength: 100V AC, 1min  
 Contact resistance: 100mΩ Max  
 Life: 100,000 Cycles  
 Travel: 0.17 ± 0.05mm  
 Operating force: 250 ± 50gf

<b>UNLESS OTHERWISE STATED</b>		DESIGN	DATE
<b>TOLERANCE</b>		9999	2024.03.27
XX	±0.20	SIZE	A4
XXX	±0.15	REV	A
XXXX	±0.10	UNIT	mm
∠	±2°	SCALE	20:1
<b>东莞市铭标电子科技有限公司</b> Ming Biao Electronic Technology Co., Ltd.		APPD	DATE
<b>Tact Switch</b>			
<b>MODEL</b>		<b>TAF03-BWC-R</b>	
<b>SHEET</b>		<b>1/3</b>	
<b>PRINT DATE</b>		<b>2024.04.10</b>	