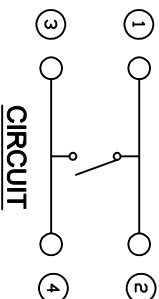
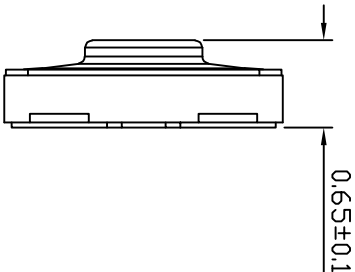
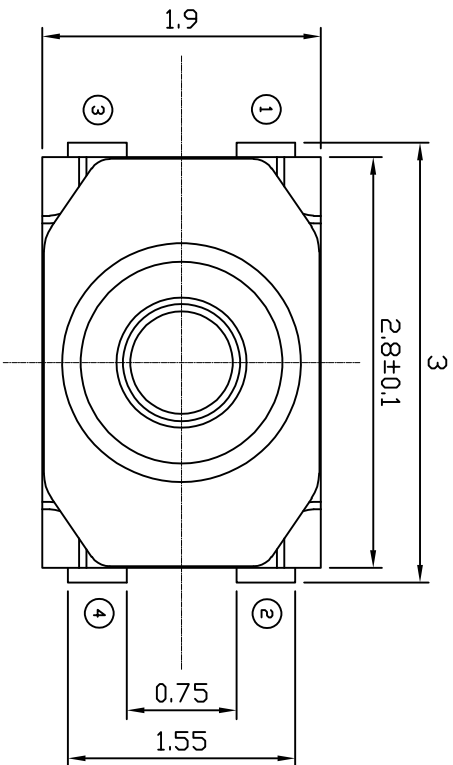
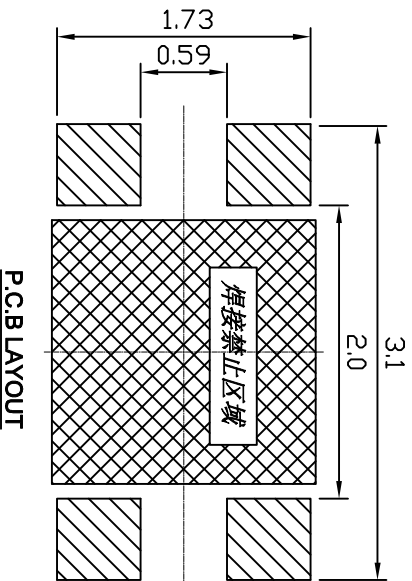
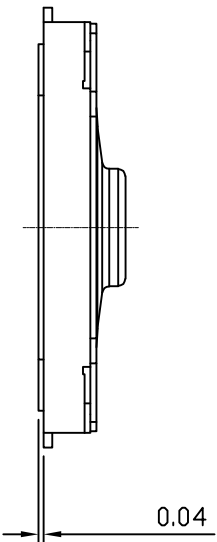
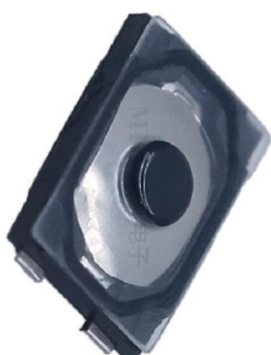


本公司智慧财产未经许可不得复制
Ming Biao copyright may not be used without permission from ming biao.



CIRCUIT



P.C.B LAYOUT



SPECIFICATIONS:

Operating temperature range: -30°C to $+85^{\circ}\text{C}$
Rating: Max50 mA/12V DC Min10 μA 1V DC
Insulation resistance: 100M Ω min. 100V DC
Dielectric strength: 100V AC, 1Min
Contact resistance: 100m Ω Max
Life: 100,000 Cycles
Travel: 0.13 \pm 0.1mm
Operating force: 200 \pm 50gf

RÖHS COMPLIANT		Pb Pb-Free		HF RoHS Free		东莞市铭标电子科技有限公司 Ming Biao Electronic Technology Co., Ltd.	
TOLERANCE				DESIGN	DATE	TITLE	Tact Switch
UNLESS OTHERWISE STATED				9999	2024.03.23		
XX	±0.20	SIZE	A4	CHKD	DATE	MODEL	TAF02-BWF-R
XXX	±0.15	REV	A	APPD	DATE	SHEET	1/3
X,XXX	±0.10	UNIT	mm	SCALE	20:1	PRINT DATE	2024.04.09
		±2°	SCALE	20:1			

