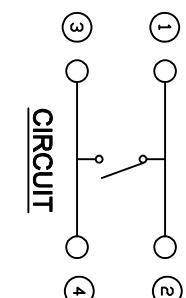
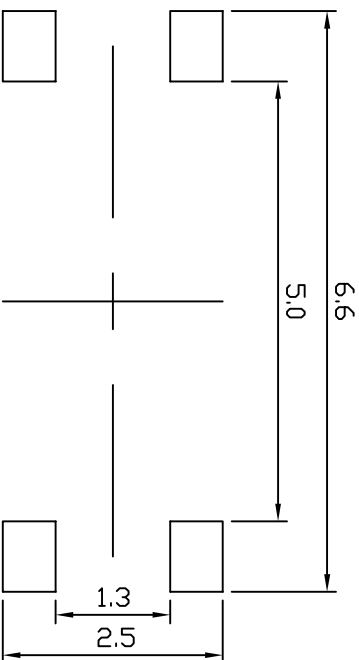


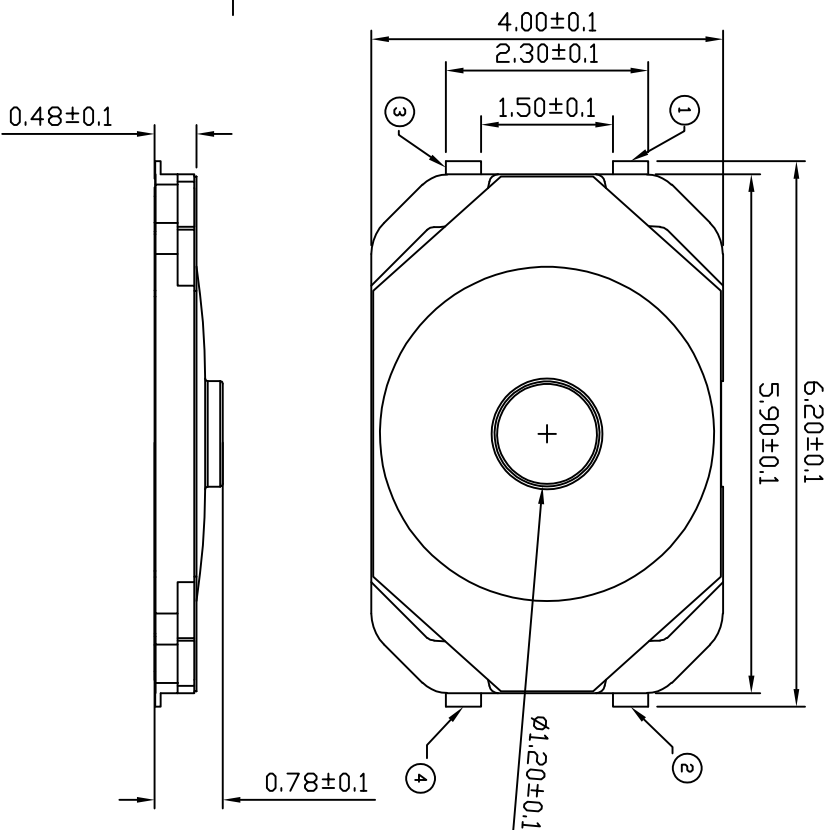
本公司智慧财产未经许可不得复制
ming biao copyright may not be used without permission from ming biao.



CIRCUIT



P.C.B LAYOUT



0.48±0.1

SPECIFICATIONS:

Operating temperature range: -30°C to $+85^{\circ}\text{C}$
Rating: Max 50 mA 12V DC Min 10 μ A 1V DC
Insulation resistance: 100M Ω min. 100V DC
Dielectric strength: 100V.AC. 1Min
Contact resistance: 100m Ω Max
Life: 1, 000, 000 Cycles
Travel: 0.25 \pm 0.05mm
Operating force: 250 \pm 30gf



ROHS COMPLIANT		Pb Free		HF Halogen Free		东莞市铭标电子科技有限公司 Ming Biao Electronic Technology Co., Ltd.	
TOLERANCE UNLESS OTHERWISE STATED				DESIGN	DATE	TITLE	
XX	±0.20	SIZE	A4	9/9/24	2024. 04. 08	Tact Switch	
XXX	±0.15	REV	A				
X,XXX	±0.10	UNIT	mm	APPD	DATE	MODEL	
	±2°	SCALE	12:1			TAF18-BWC-R-C	
						SHEET	1/3
						PRINT DATE	2024.05.17

